

Ordering information:

GD-PJS-31070

(1) (2) (3) (4) (5) (6) (7)

(1): Series No

(2): Schematic option: B, D, K, W

(3): Material of housing:

PB=PBT

(4): Housing color:

0A=Black 2L=Pink (701C/0445)

Zero 5G=Green (577C/0446)

6F=Blue (0370)

(5): Terminal plating:

T=Tin (Sn)

(6): Special option

00=No special option,

U0=With customer mark "UG"

(7): Packing mode:

3=Plastic box packing

Specification:

1. Rating : DC 30V 0.5A.

2. Contact resistance: ≤30mΩ.

After test: ≤50mΩ

3. Insulation resistance: ≥100MΩ (500V DC).

After test: ≥50MΩ

4. Withstand voltage: 500V AC.

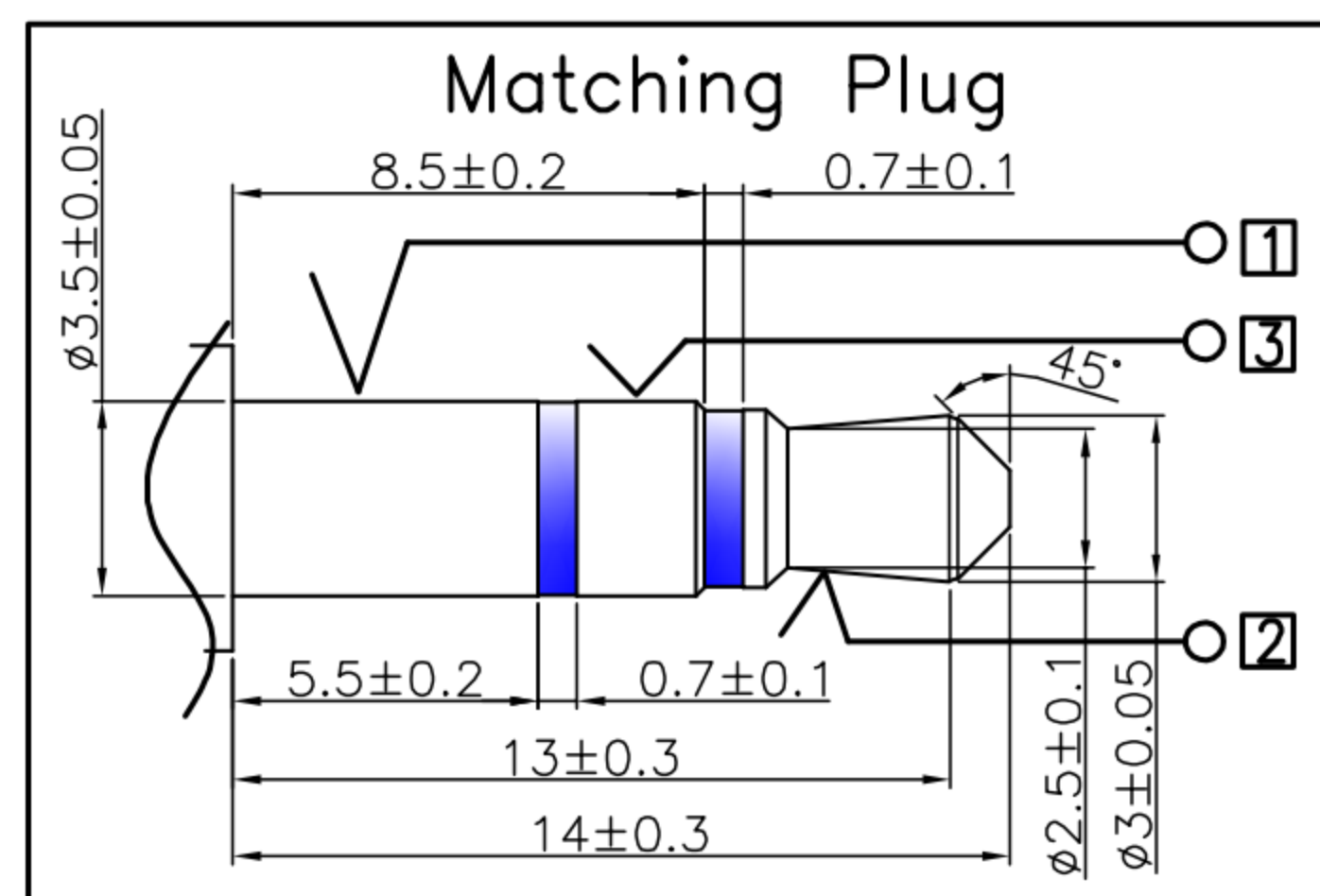
5. Insertion and extraction force: 3N~30N.

6. life test: 5000cycles min.

7. Operation temperature range: -20°C~70°C.

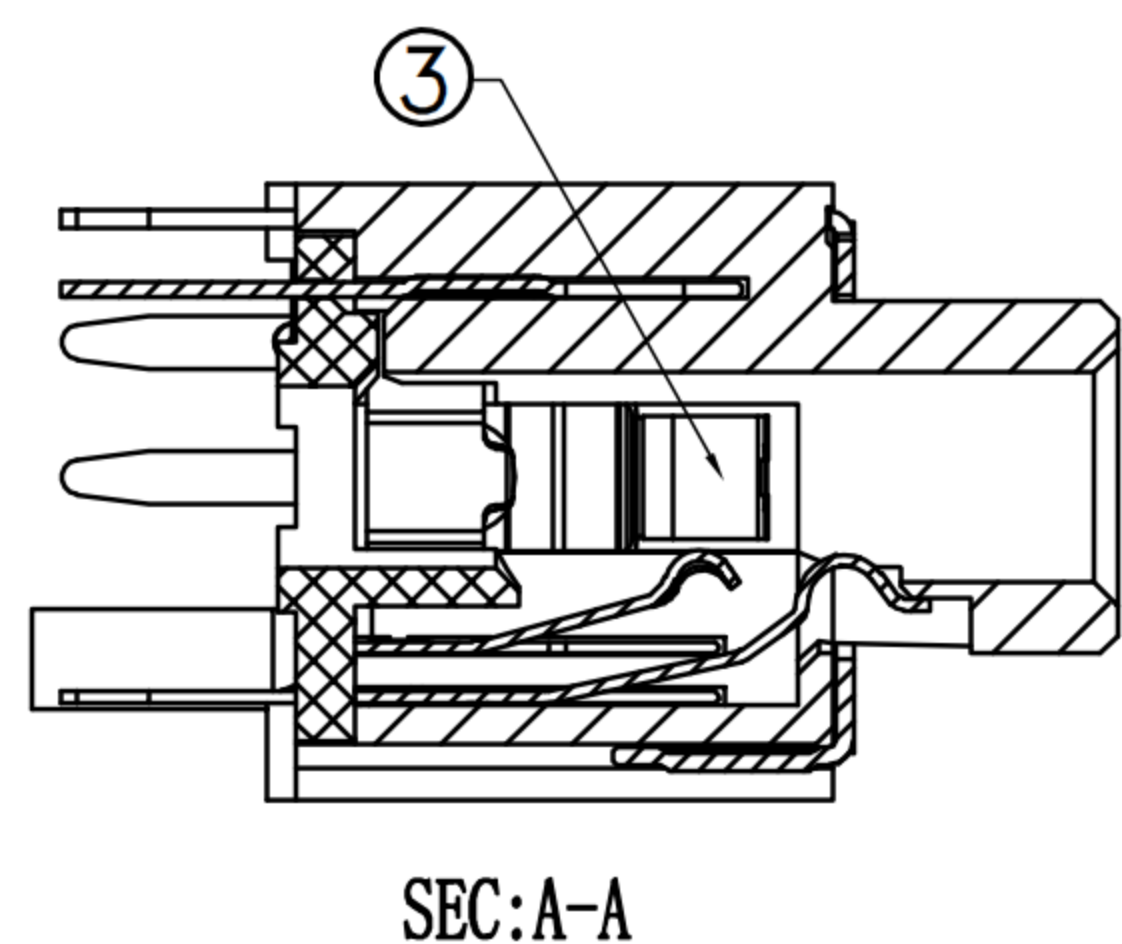
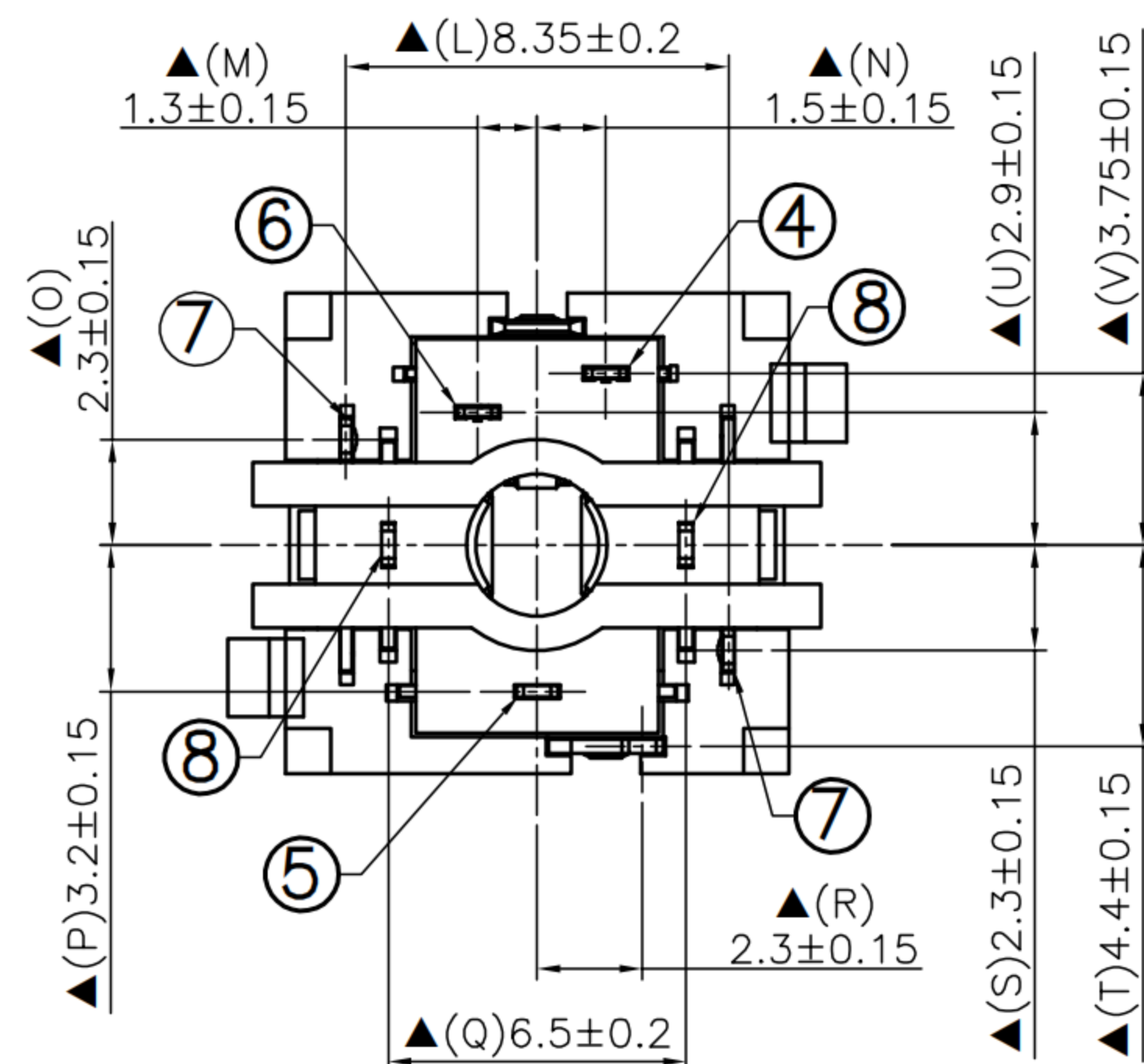
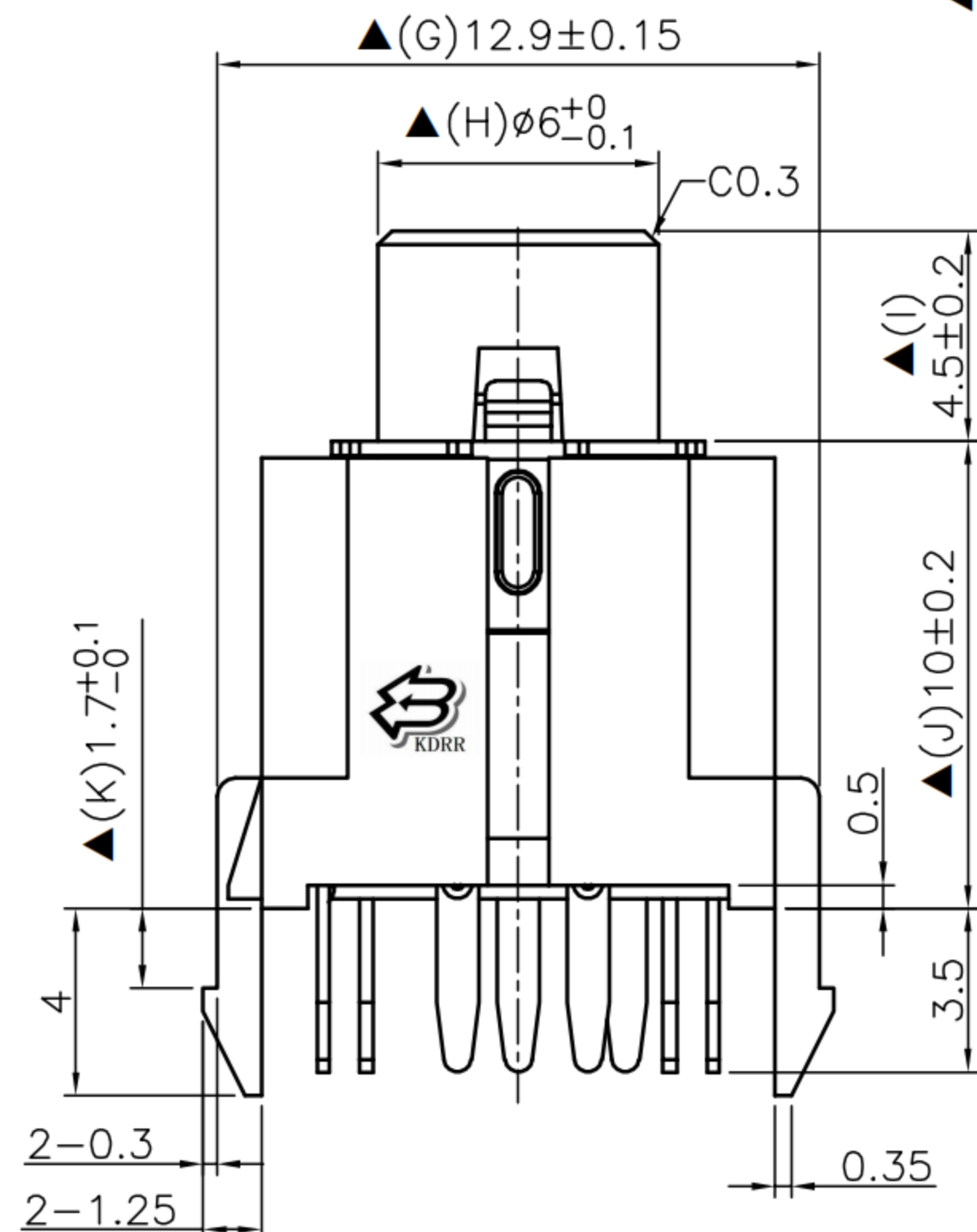
8. Preservative temperature range: -40°C~85°C.

9. Sign "▲" is importance dimension.



RECOMMENDED P.C.B. LAYOUT
UNSPECIFIED TOLERANCE: ±0.05
(COPPER-SIDED VIEW)

| Model No. | 31070-B | 31070-D | 31070-K | 31070-W |
|----------------|---------|---------|---------|---------|
| Schematic code | | | | |



| ITEM NO. | DESCRIPTION | QTY | MATERIAL | REMARK |
|----------|-----------------|-----|-----------------------|-------------|
| 9 | Shield flake | 1 | Spcc 0.3t | Tin plating |
| 8 | Break terminal | 2 | Brass 0.3t | Tin plating |
| 7 | Transfer spring | 2 | Phosphor bronze 0.25t | Tin plating |
| 6 | Ring spring | 1 | Phosphor bronze 0.2t | Tin plating |
| 5 | Tip spring | 1 | Phosphor bronze 0.25t | Tin plating |
| 4 | Earth spring | 1 | Phosphor bronze 0.2t | Tin plating |
| 3 | Insulator | 2 | POM,UL 94HB | Black |
| 2 | Cover | 1 | PC,UL 94V-2 | Black |
| 1 | Housing | 1 | PBT,UL 94V-0 | |

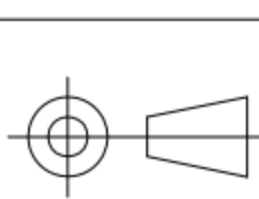
| ITEM NO. | DESCRIPTION | DRAWN | DATE |
|----------|-------------|-------|--------|
| 5 | 新增PLUG標號 | Jack | 052819 |
| 4 | 更新圖面 | Jack | 052419 |
| 3 | 新增3d上方圖 | Jack | 101918 |
| 2 | 更新圖面 | Jack | 092818 |
| 1 | 新增尺寸 | Jack | 070717 |

东莞市高迪电子有限公司
Dong Guan KDRR Electronic Switch Jack Co., Ltd.

TOLERANCE UNLESS OTHERWISE STATED:

Up to 5 ±0.2
Above 5 ~ 15 ±0.3
Above 15 ~ 30 ±0.4
Above 30 ~ 50 ±0.5
Angle ±0.3°

3RD. ANGEL'S



UNITS MM

DRAWN BY: DATE
Ming Ming Zou 6/8/23
CHECKED BY: DATE
Ning Ning Su 6/8/23
APPROVED BY: DATE
Jia Xiang 6/8/23

| MAT'L | TITLE | JACK |
|------------------|----------|--------------|
| FINISH | MODLE | PHONE JACK |
| SCALE 1:1 | DWG NO. | GD-PJS-31070 |
| SHEET NO. 1 of 1 | PART NO. | |
| | | SIZE A4 |
| | | VER R5 |